

«F&F»[®] F&F Filipowski sp. j.
 Konstantynowska 79/81 95-200 Pabianice
 phone/fax: (+48 42) 215 23 83 / 227 09 71 POLAND
 http://www.fif.com.pl e-mail: fif@fif.com.pl

BISTABLE RELAY
 dual-channel

BIS-416

WARRANTY. The F&F products are covered by a warranty of the 24 months from the date of purchase. Effective only with proof of purchase. Contact your dealer or directly with us. More information how to make a complaint can be found on the website: www.fif.com.pl/reklamacje



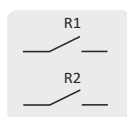
5 19 0 8 3 1 2 15 9 8 2 7 3 1

Do not dispose of this device to a garbage bin with other unsorted waste! In accordance with the Waste Electrical and Electronic Equipment Act any household electro-waste can be turned in free of charge and in any quantity to a collection point established for this purpose, as well as to the store in the event of purchasing new equipment (as per the old for new rule, regardless of brand). Electro-waste thrown in the garbage bin or abandoned in the bosom of nature pose a threat to the environment and human health.



Purpose

Electronic bistable pulse relay switch that turns on or off lights or other equipment from several different points with the parallel connected momentary (bell) control switches. The relay has two independently controlled channels.



- 1 -

Installation

1. Disconnect the power supply.
2. Mount relay in the flush-mounted box.
3. Connect the power supply cables to PWR group: phase wire L to terminal 4, neutral wire N to terminal 3.
4. Parallel connected S1 momentary switches (R1 section control) connect to terminal 2 and phase wire L. Parallel connected S2 momentary switches (R2 section control) connect to terminal 1 and phase wire L.
5. Powered receiver of section R1 connect in series to terminal 6 and neutral wire N. Powered receiver of section R2 connect in series to terminal 5 and neutral wire N.

Note!

BIS-416 is compatible with backlit buttons.



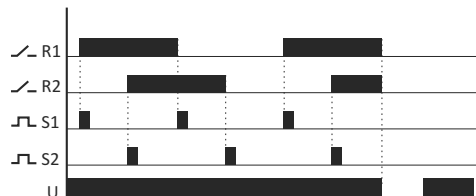
Specifications

power supply	100÷265V AC
contact / AC-1 load current	2×1NO / 2×[<8A]
control L pulse current	<5mA
response delay	0.1÷0.2s
power indicator	green LED
power consumption	
standby	0.15W
on	0.6W
working temperature	-25÷50°C
terminal	2.5mm ² screw terminals
tightening torque	0.4Nm
dimensions	∅54 (□48×43mm), h=20mm
mounting	in the ∅60 flush-mounted box
ingress protection	IP20

- 3 -

Operation

The relay is activated with a current pulse caused by the press of any momentary (bell) button connected to the relay. Subsequent pulse will switch the relay off. The relay has two independently controlled channels. Control is carried out by means of two separate signal inputs. Pulse on S1 input controls the R1 output. S2 input and R2 output operate on the same basis. The relay does not have a "memory" of the contact position, i.e. when power returns after power failure, contact of the relay will be set in the disabled state. This prevents automatic switching of controlled receivers without supervision after prolonged power outage.



- 2 -

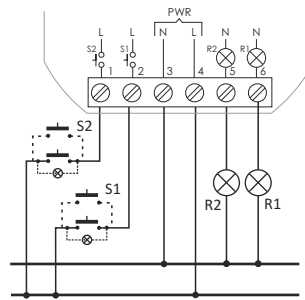
Power table

incandescent	halogen	fluorescent	energy-saving	LED
1000W	600W	500W	250W	120W

The above data are indicative and will heavily depend on the design of a specific receiver (that is especially important for LED bulbs, energy-saving lamps, electronic transformers and pulse power supply units), switching frequency and operating conditions.

For more information visit: www.fif.com.pl

Wiring diagram



D141222/150119

- 4 -