



F&F Filipowski L.P.  
Konstantynowska 79/81, 95-200 Pabianice, POLAND  
phone/fax (+48 42) 215 23 83 / (+48 42) 227 09 71  
www.fif.com.pl; e-mail: biuro@fif.com.pl

## PR-613

Priority relay



5190831215959151

**Do not dispose of this device in the trash along with other waste!**

According to the Law on Waste, electro coming from households free of charge and can give any amount to up to that end point of collection, as well as to store the occasion of the purchase of new equipment (in accordance with the principle of old-for-new, regardless of brand). Electro thrown in the trash or abandoned in nature, pose a threat to the environment and human health.



### Purpose

Priority relays are used when there are at least 2 high-power loads connected to the circuit, which can operate independently, and their simultaneous operation would result in tripping of the current protections.

### Functioning

The potentiometer is used to set the value of current consumption in the priority circuit, above which the relay switches off the non-priority circuit. A decrease of current consumption in the priority circuit below the set threshold value will automatically switch on the non-priority circuit.

In the event that the priority load is already switched on, the relay will prevent the non-priority load from being switched on.

## Mounting

1. Disconnect the power supply.
2. Mount the priority relay on the rail in the distribution box.
3. Connect the power supply of the relay to terminals 1-3 according to the diagram.
4. Feed the priority consumer through the relay's feed-through channel (terminal 5).
5. Connect the power supply circuit of the non-priority receiver in series to the relay contact (terminals 11-12).
6. On the current scale of the relay set the tripping threshold.



Set a value of no more than 80% of the current of the priority load.

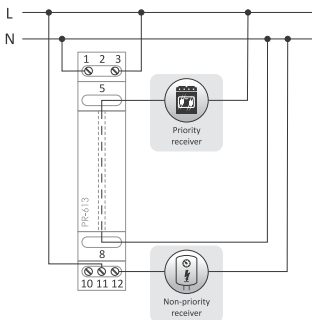
---



The current of the priority load can be greater than 15 A. It is limited only by the cross-sectional area of the current-carrying receiver cable (separated from the measuring system) threaded through the through channel of the relay.

---

## Wiring diagram



## Technical data

power supply	195÷253 V AC
maximum non-priority receivers	
current (AC-1)*	16 A
maximum priority receivers	limited by the cross-section
current (AC-1)	of the cable
	(maximum $\varnothing 4$ mm)
contact	separated 1×NO/NC
switching current	2÷15 A
switching delay	0.1 s

\* a higher current requires an additional contactor

return hysteresis	10%
return delay	0.1 s
power consumption	0.4 W
working temperature	-25÷50°C
terminal	2.5 mm <sup>2</sup> screw terminals (cord) 4.0 mm <sup>2</sup> screw terminals (wire)
tightening torque	0.5 Nm
dimensions	1 module (18 mm)
mounting	on TH-35 rail
ingress protection	IP20

### Warranty

The F&F products are covered by a warranty of the 24 months from the date of purchase. Effective only with proof of purchase. Contact your dealer or directly with us.

### CE declaration

F&F Filipowski L.P. declares that the device is in conformity with the essential requirements of The Low Voltage Directive (LVD) 2014/35/EU and the Electromagnetic Compatibility (EMC) Directive 2014/30/UE.

The CE Declaration of Conformity, along with the references to the standards in relation to which conformity is declared, can be found at [www.fif.com.pl](http://www.fif.com.pl) on the product page.